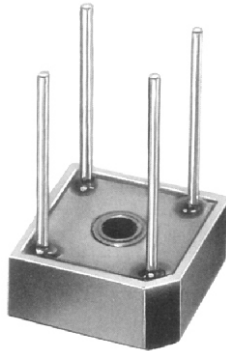


MP15M SERIES

SINGLE-PHASE 15 AMPS. SILICON BRIDGE RECTIFIERS



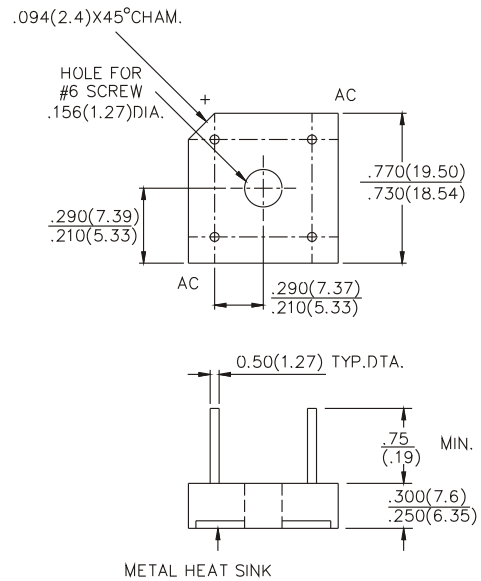
**CHENG-YI
ELECTRONIC**



FEATURES

- 300 Amps Surge capability
- CASE: Molded Plastic with Heatsink Internally Mounted in the Bridge Encapsulation
- Electrically isolated metal case for maximum heat dissipation
- Mounting: thru hole for #6 screw

VOLTAGE RANGE
50 TO 1000 VOLTS PRV
CURRENT
15 Amperes



Dimensions in inches and (millimeters)

MAXIMUM RATINGS AND ELECTRICAL CHARACTERISTICS

Ratings at 25°C ambient temperature unless otherwise specified.
Single phase, half wave, 60Hz, resistive or inductive load.
For capacitive load, derate current by 20%.

		MP15005M	MP1501M	MP1502M	MP1504M	MP1506M	MP1508M	MP1510M	UNITS
Maximum Recurrent Peak Reverse Voltage	V_{RRM}	50	100	200	400	600	800	1000	V
Maximum RMS Bridge Input Voltage	V_{RMS}	35	70	140	280	420	560	700	V
Maximum DC Blocking Voltage	V_{DC}	50	100	200	400	600	800	1000	V
Maximum Average Forward Output Current @ $T_A=55^\circ\text{C}$	$V_{(AV)}$	15							A
Peak Forward Surge Current 8.3 ms single half sine-wave superimposed on rated load(JEDEC Method)	I_{FSM}	200							A
Maximum Forward Voltage per Bridge Element MP15 at IF 7.5A	V_F	1.1							V
Maximum DC Reverse Current at rated @ $T_A=25^\circ\text{C}$ DC Blocking Voltage Per Bridge Element	I_R	10							μA
Operating Temperature Range	T_J	-55 to +125							$^\circ\text{C}$
Storage Temperature Range	T_{STG}	-55 to +125							$^\circ\text{C}$

*(Plastic case & Metal base)

MP15M SERIES

SINGLE-PHASE 15 AMPS. SILICON
BRIDGE RECTIFIERS



CHENG-YI
ELECTRONIC

RATING AND CHARACTERISTICS CURVES MP15M SERIES

Fig.1 - MAXIMUM FORWARD SURGE CURRENT

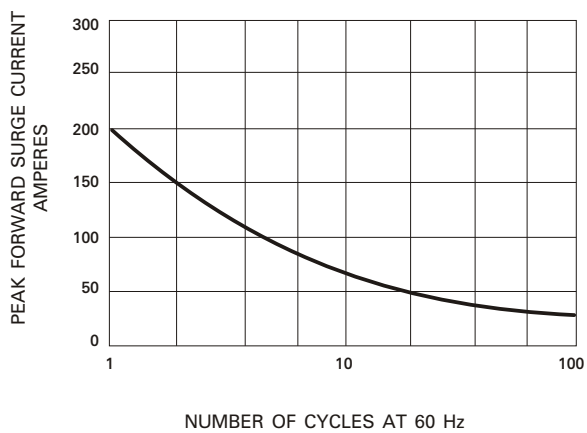


Fig.2 - DERATING CURVE FOR
OUTPUT RECTIFIED CURRENT

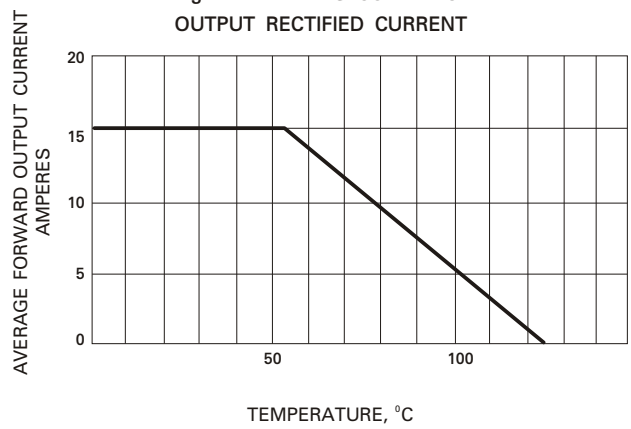


Fig.3 - TYPICAL FORWARD
CHARACTERISTICS

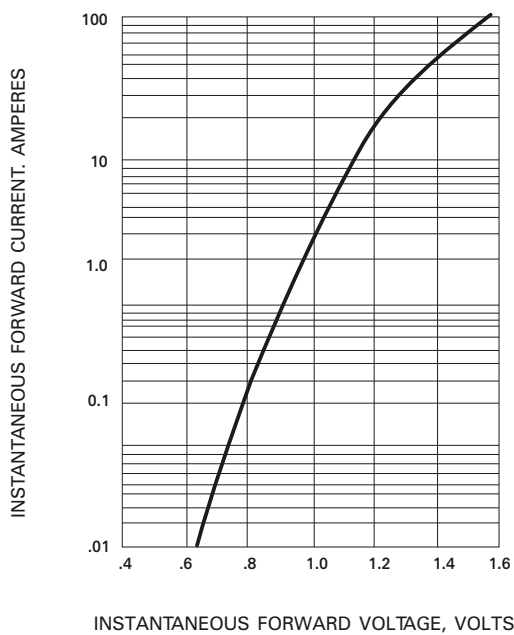


Fig.4 - TYPICAL REVERSE
CHARACTERISTICS

